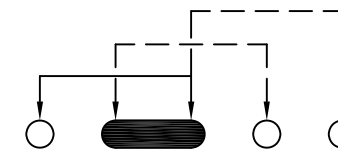
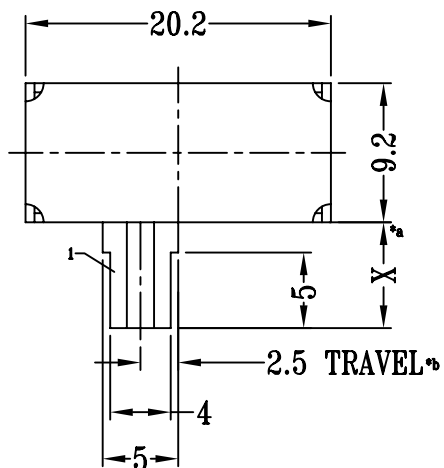
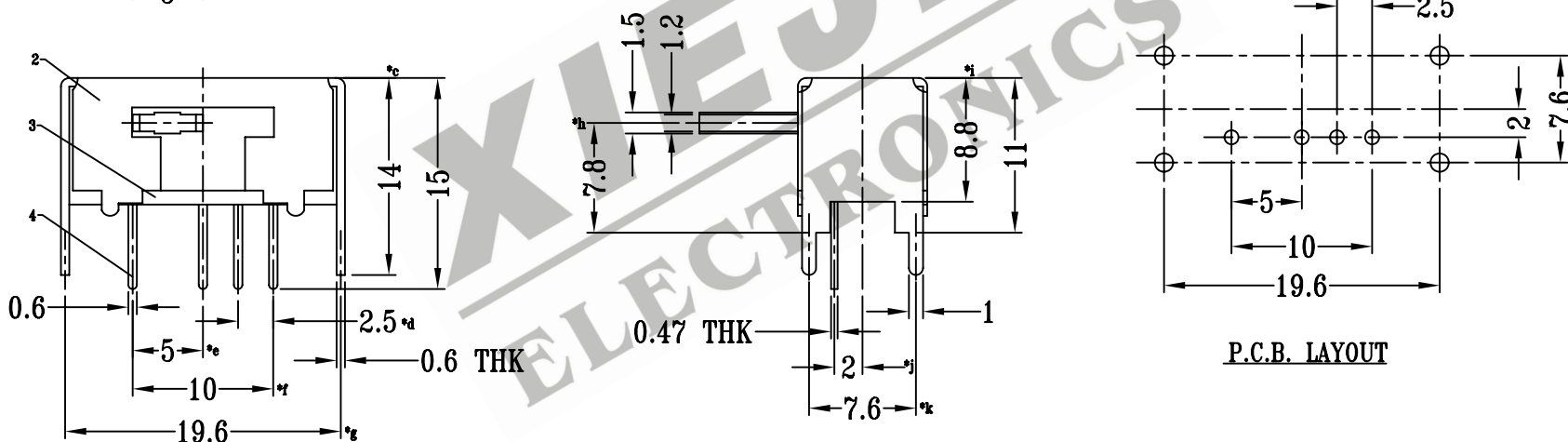


CAD FILE:



SCHEMATIC (SHORTING)



P.C.B. LAYOUT

注:带\*表示关键尺寸(11\*)

8					TOLERANCE UNLESS SPECIFIED	SHENZHEN XIEJIA ELECTRONICS CO.,LTD.				
7	STEEL BALL	STEEL	1	NATURAL	WITHIN: 1.5±0.1mm	ISSUE	DATE	DESCRIPTIONS		APPD.
6	SPRING	STEEL WIRE	1	TEMPER	OVER : 1.5±0.2mm					
5	CONTACT CLIP	PBS STRIP	1	Ag PLATED				DRWG NO.: XJ-DR-SK13E12-00		
4	TERMINAL	BRASS STRIP	4	Ag PLATED OVER Ni PLATED	TITLE : HORIZONTAL SLIDE SWITCH	UNIT : MM		DWN.	ZHOUYU	2003-11-8
3	BASE	PHENOLIC RESIN	1	NATURAL	MODEL: SK-13E12	SCALE: 2:1		CHK'D	FANGYING	2003-11-8
2	FRAME	STEEL STRIP	1	Ni PLATED				APPD.	KANGXINAN	2003-11-8
1	KNOB	POM	1	WHITE	ALL MATERIALS MUST BE COMPLIANT TO ROHS					
NO.	PART NAME	MATERIAL	Q'TY	FINISHING						